

# WIND PROOF ROLLER BLIND

–Installation Instruction–



## ! NOTICE :

- Customers and installers must follow the instructions for construction to ensure that this product can be installed correctly. If the installer uses an incorrect installation method to cause the product to fall, the personal safety and other consequences shall be borne by the customer and the installer.
- After unpacking, please confirm whether the type and quantity of parts in the box are consistent with the instructions.
- Before starting construction, be sure to check whether each part is intact. If there is any damage, please contact the manufacturer in time. If you insist on installing the damaged parts, the personal injury caused by the fall of the product will be borne by the customer and the installer.

PRODUCT NAME:WIND PROOF ROLLER BLIND

MAIN MATERIAL: ALUMINUM

MANUFACTURER:FOSHAN YONGDI METAL PRODUCTS CO.,LTD

ADD: NO.1, 3rd Road, Lianhe Industrial Zone, Luocun Village, Nanhai District, Foshan, China

## To installers :

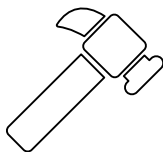
Thank you for choosing our products.

Before installation, please read this manual carefully, and install the order and method specified in this manual for construction. The company is not responsible for accidents caused by incorrect installation, so please construct correctly. In addition, please refer to the relevant installation manual for details about the motor and its wiring.

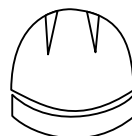
## Tools Needed:



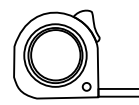
Gloves



Hammer



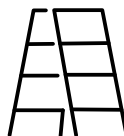
Helmet



Tape Measure



Electric Drill




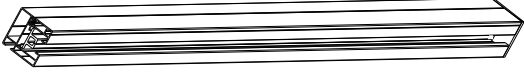

Ladder





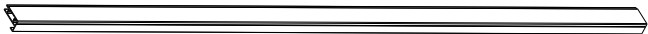



Electronic level  
measuring instrument

**Package Instruction:** One box, mainly divided into three parts, please check the profile according to the accessories table for details.


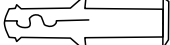
## Large parts accessories list

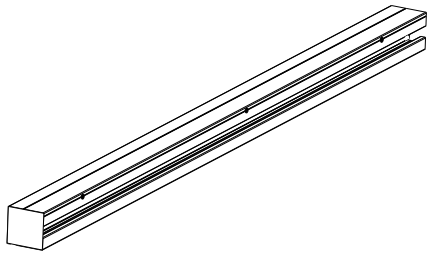
NAME	NO.	IMAGE	QTY
Box	<b>A</b>		1
Side Rail	<b>B1</b>		1
Side Rail	<b>B2</b>		1

## Side rail decomposition

	NAME	NO	IMAGE	QTY
 Side Rail <b>B1 B2</b>	Lower rail	<b>c</b>		2
	Upper rail	<b>d</b>		2
	Adhesive strips	<b>e</b>		2
	Rubber stopper	<b>f</b>		6
	Upper rail screws	<b>g</b>		6

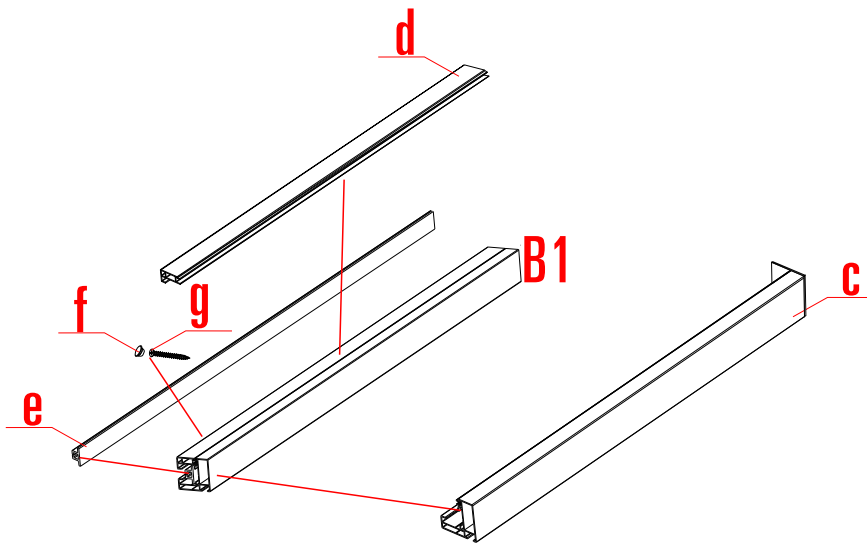
## Accessories that need to be prepared by yourself

NAME	NO.	IMAGE	QTY
Expansion screw	<b>h</b>	 5x45mm	6
Expansion screw pellets	<b>i</b>		6



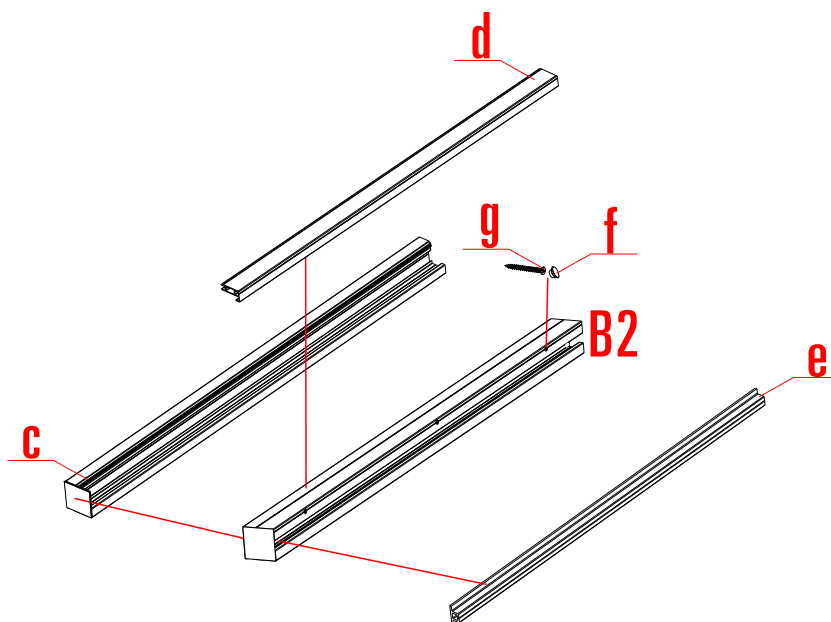
Disassemble the side rails  
**B1、B2**

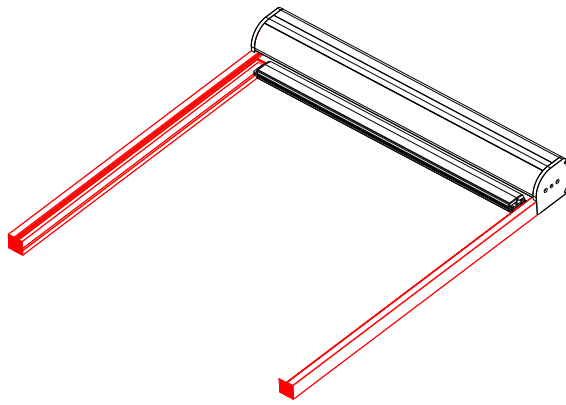
1



First remove the **f rubber stopper** and twist out the **g screw** inside.

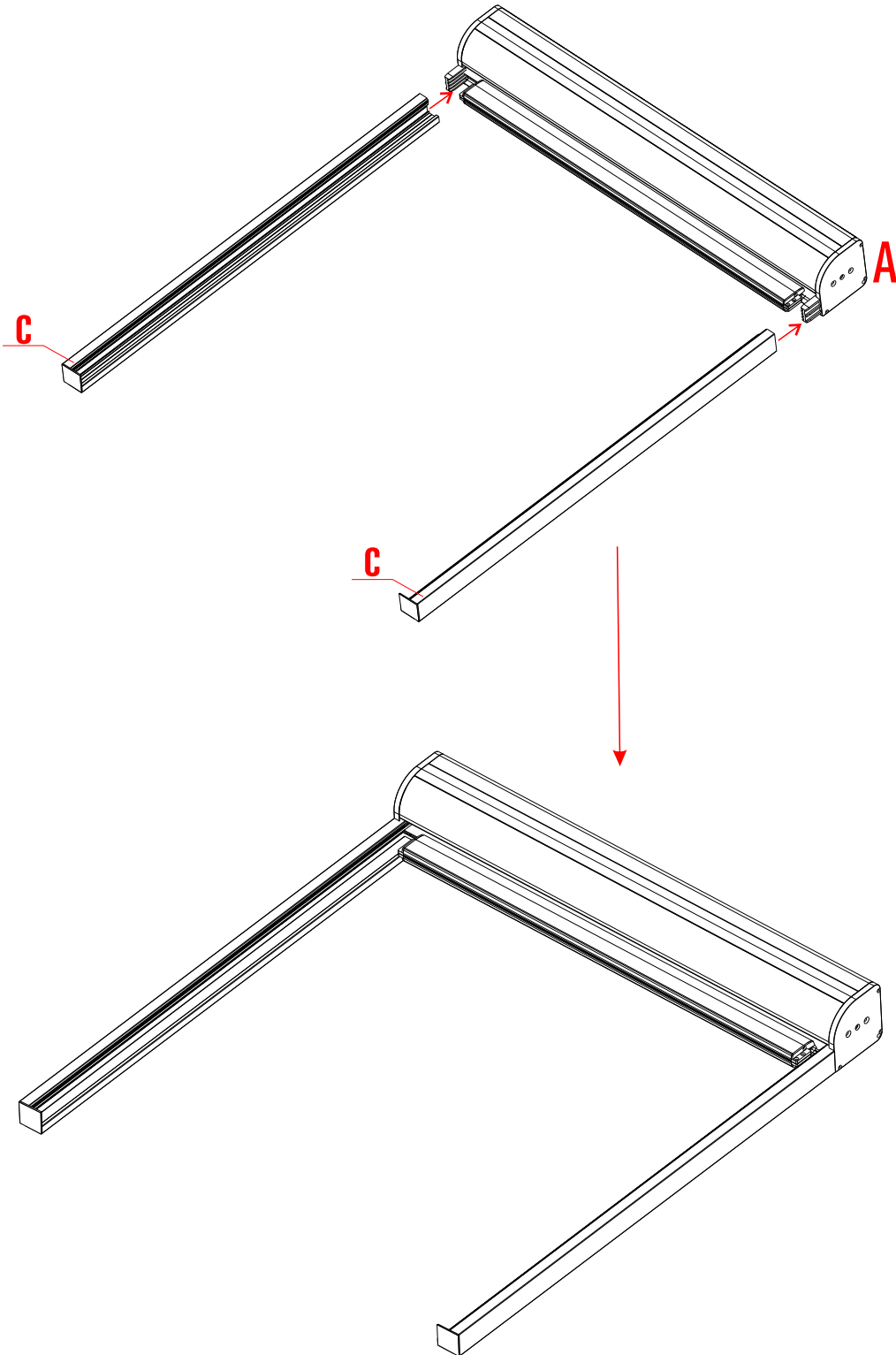
Be careful not to disassemble the sponge that is stuck to the adhesive strip.



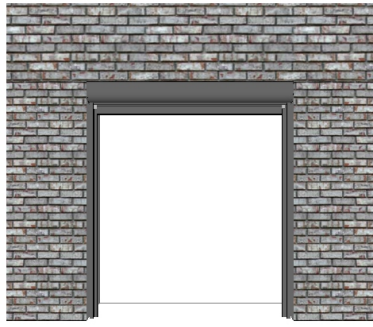


Install the lower rail

2



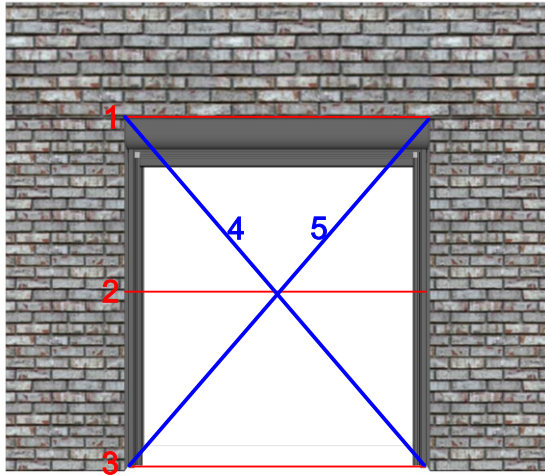




## Horizontal and vertical measurement

Preparation: Level measuring instrument

3

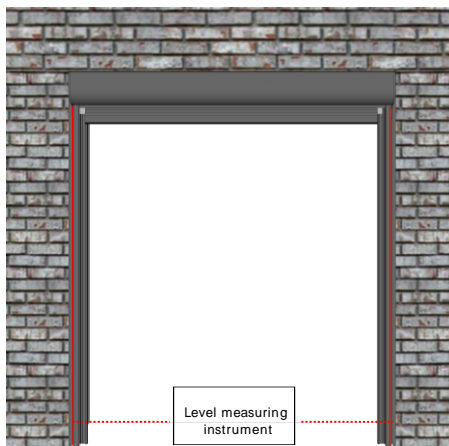


Measure whether the dimensions **1**, **2**, and **3** are the same.

Measure **4**, **5**, and whether the diagonal dimensions are the same.

**!** The difference between 1, 2 and 3 must be less than or equal to 5mm.

4

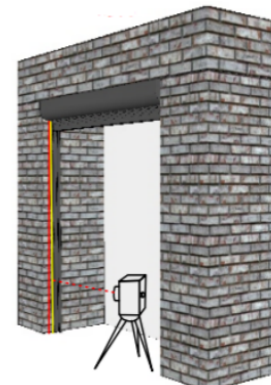
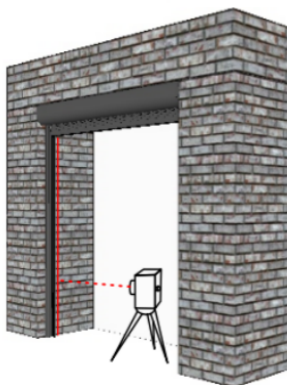


Use a level measuring instrument to measure whether the two sides of the wind-proof roller blind are vertical and whether the side rails on both sides are parallel.

5

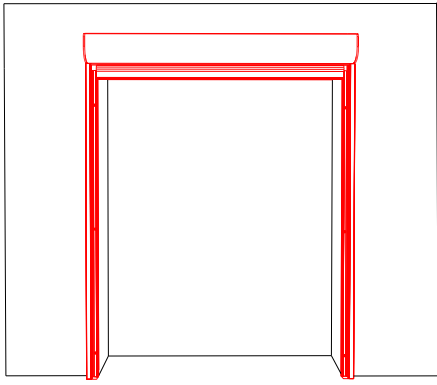
Use a level gauge to measure the side. Check whether the inner side of the wind-proof roller blind is vertical.

**!** When there is an imbalance between the edge of the wind-proof roller shutter and the level line, the wind-proof roller shutter should be adjusted in time, and then the wall should be drilled and installed.

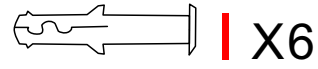


If you ignore the measurement difference and exceed the allowable value, the following situations may occur during installation:

1. The shutter is stuck (please check whether the height of the left and right rails are the same, or whether the width of the wall is different from top to bottom)
2. The fabric is not flat (please measure again whether the diagonals of the wall are consistent and whether they are on the same plane)



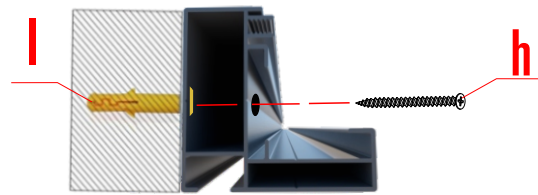
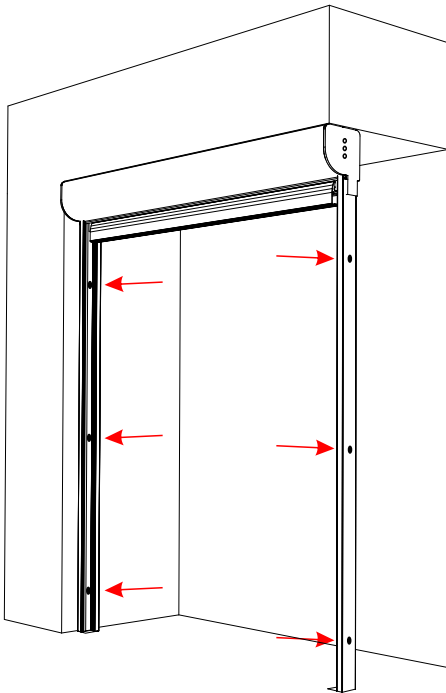
Preparation of fixed windproof roller blind:



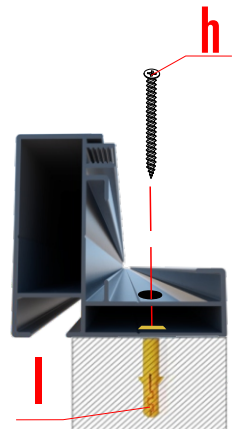
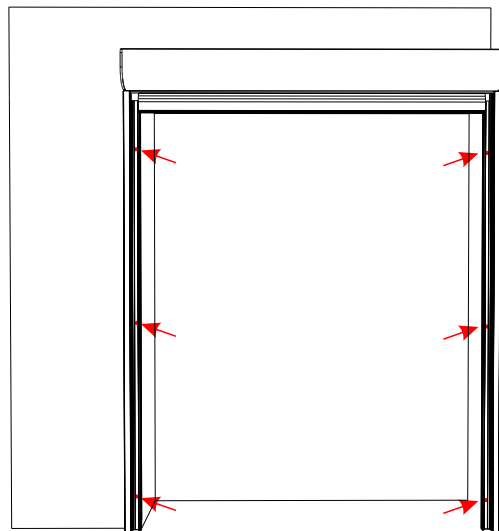
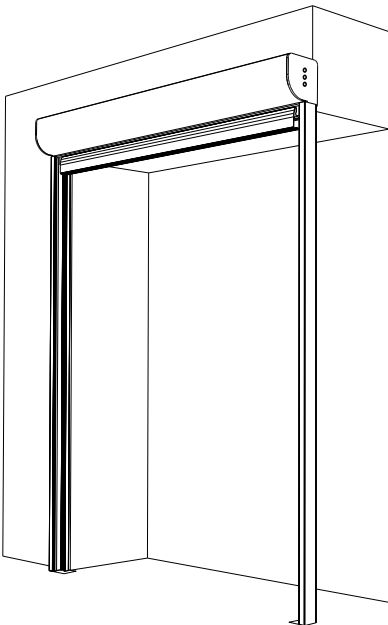
**6**



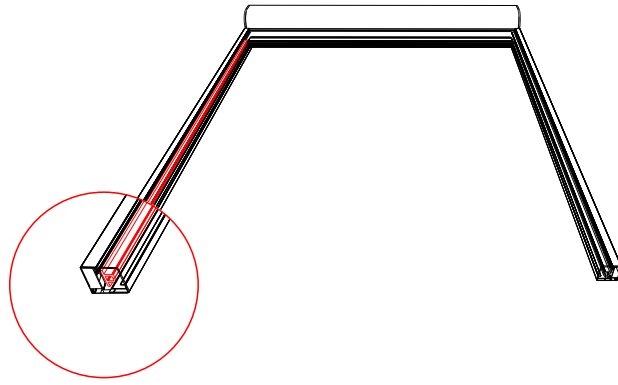
Pay attention to distinguish the installation method:



Interior

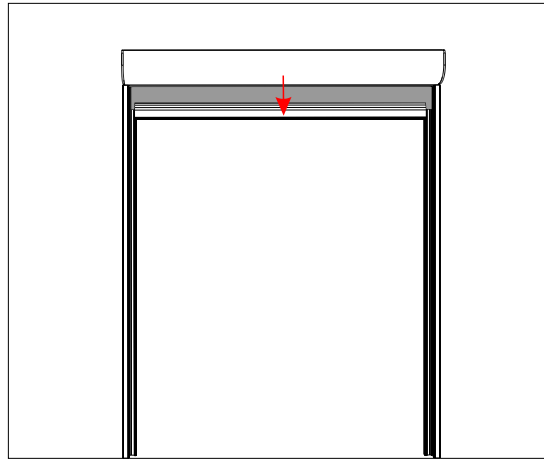


Exterior.

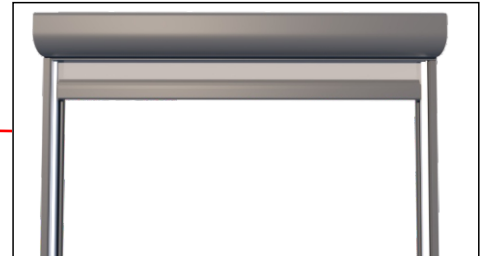
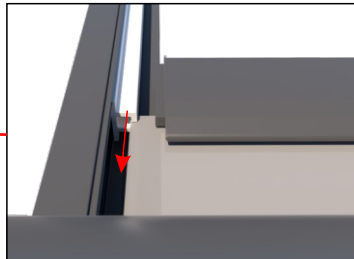
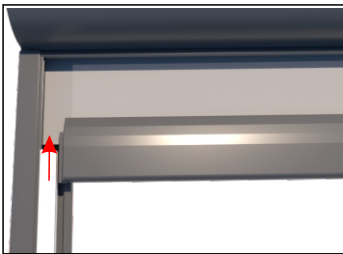


Wear rubber strips

7

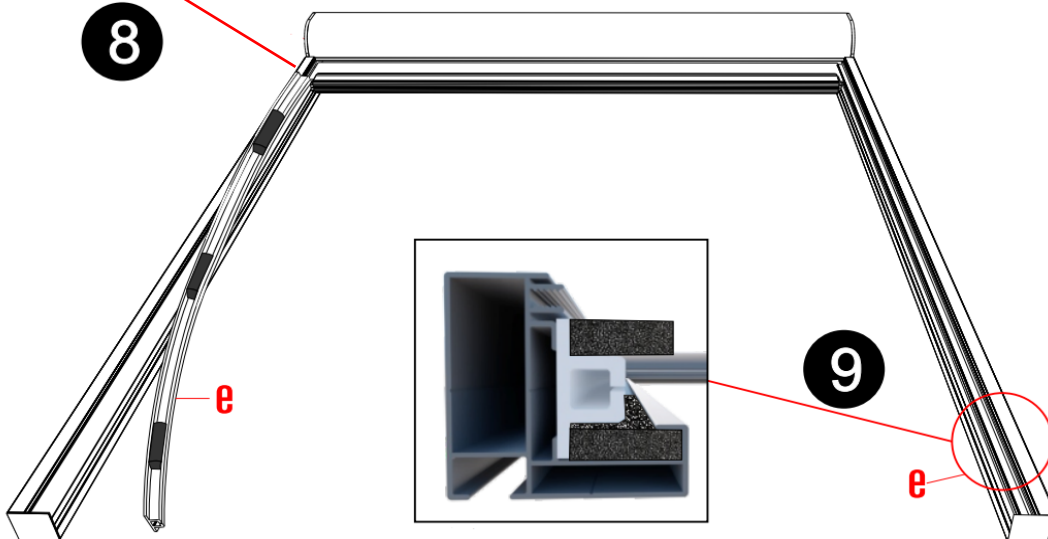


**!** Turn on the electricity first, and put the fabric down a little bit to make it easier to put on the rubber strips.



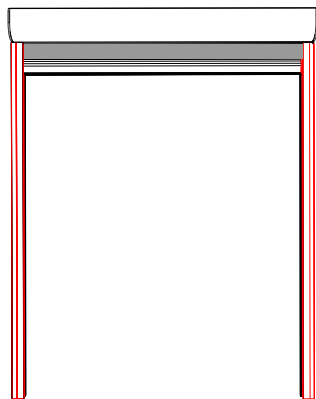
Put on the rubber strips

8



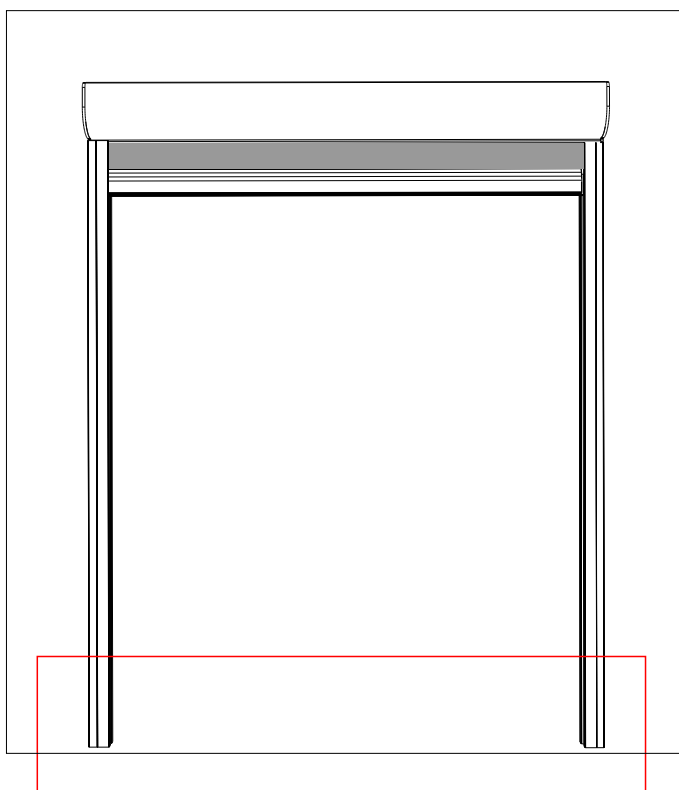
Place the rubber strips on both sides



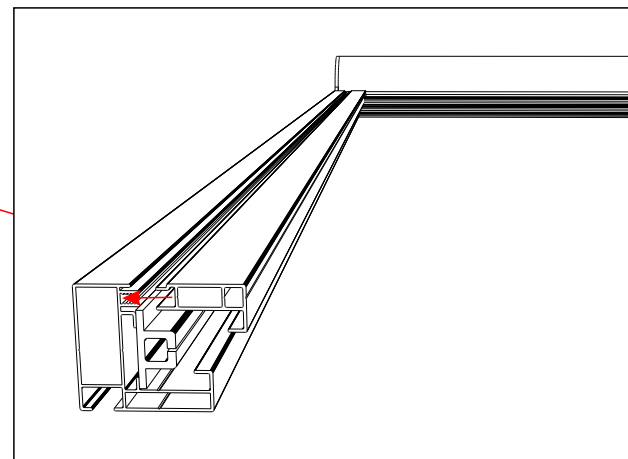
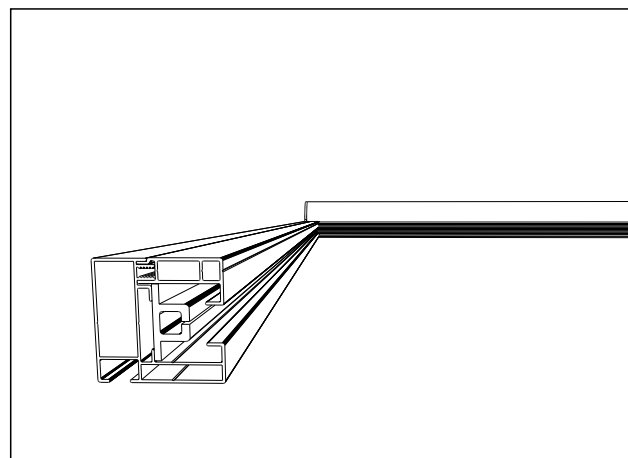
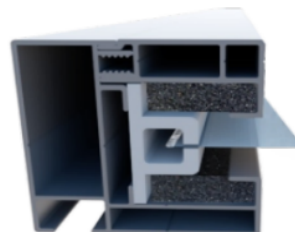


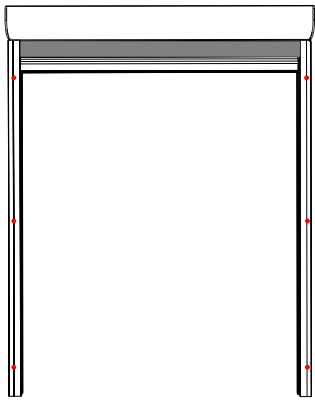
Install the upper rail

10



**!** Please check the position of the sponge as shown in the picture





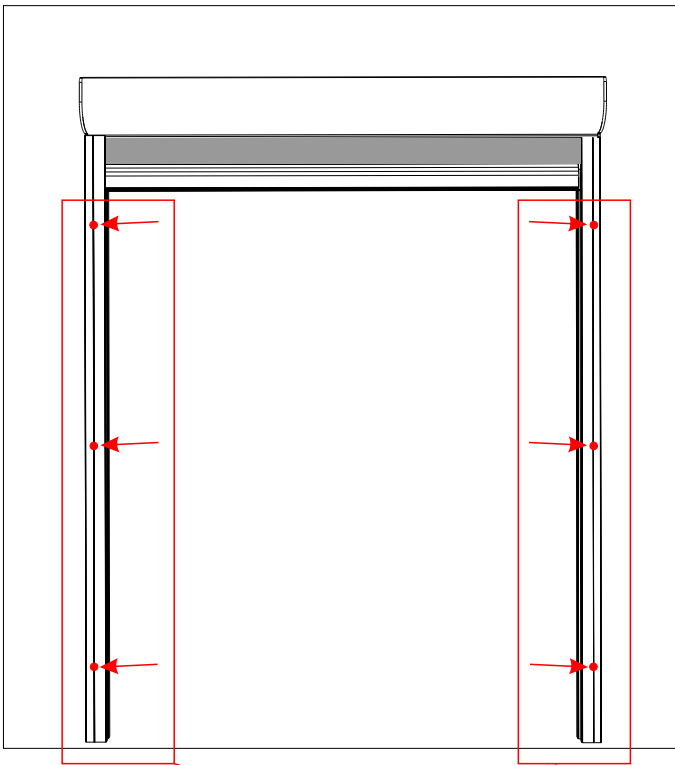
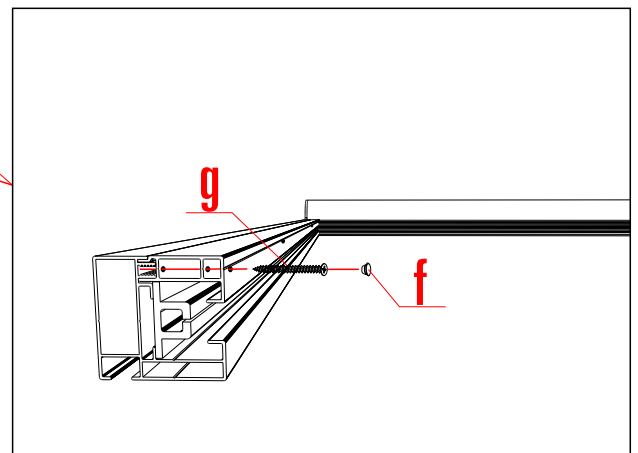
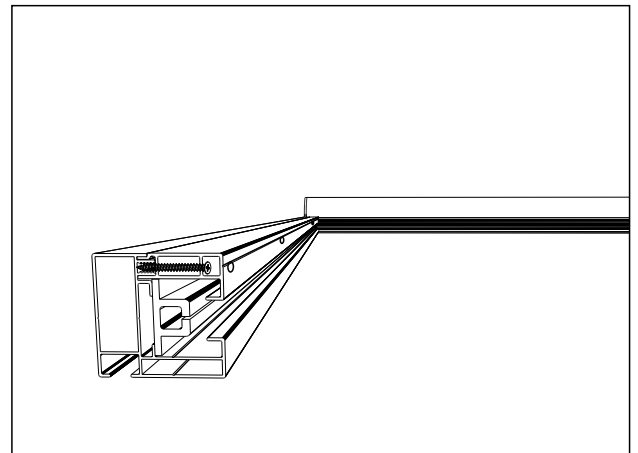
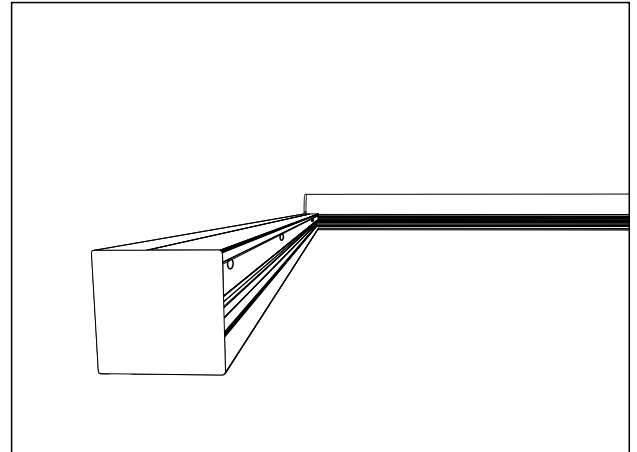
Fixed upper rail

Prepare the screws :



11

The installation is complete



## Daily problems and maintenance :

1. When the product is loose, please check whether the corresponding screws are loose in time.
2. When the product makes abnormal noises, check whether there are debris on the side rails, and clear the obstacles in time  
It can better extend the life of the product and maintain the appearance of proper maintenance can make the sunshade products use longer, more complete, and more beautiful!

## Important note :

1. In the following cases, please be sure to put the product away  
When encountering typhoon weather, please put it away in time to avoid damage to the product.
2. When using this product, make sure that the product is not blocked by sundries (such as branches, home, etc.),  
If any, please clean it up in time, otherwise it may affect the operation of this product or even cause malfunctions.
3. The products shipped from the factory are not allowed to be modified or added parts, otherwise you will be responsible for the consequences.
4. Do not deliberately interfere during the period when the product is on or off.

**! Notice: Operation error may cause property damage, and even cause injury to the user or others.**

## Maintenance records:

---

---

---

---

---

---

---

---

---

---

## Date of manufacture:

---